

Figure 2. The power amp OCL 100+100W R1% circuit

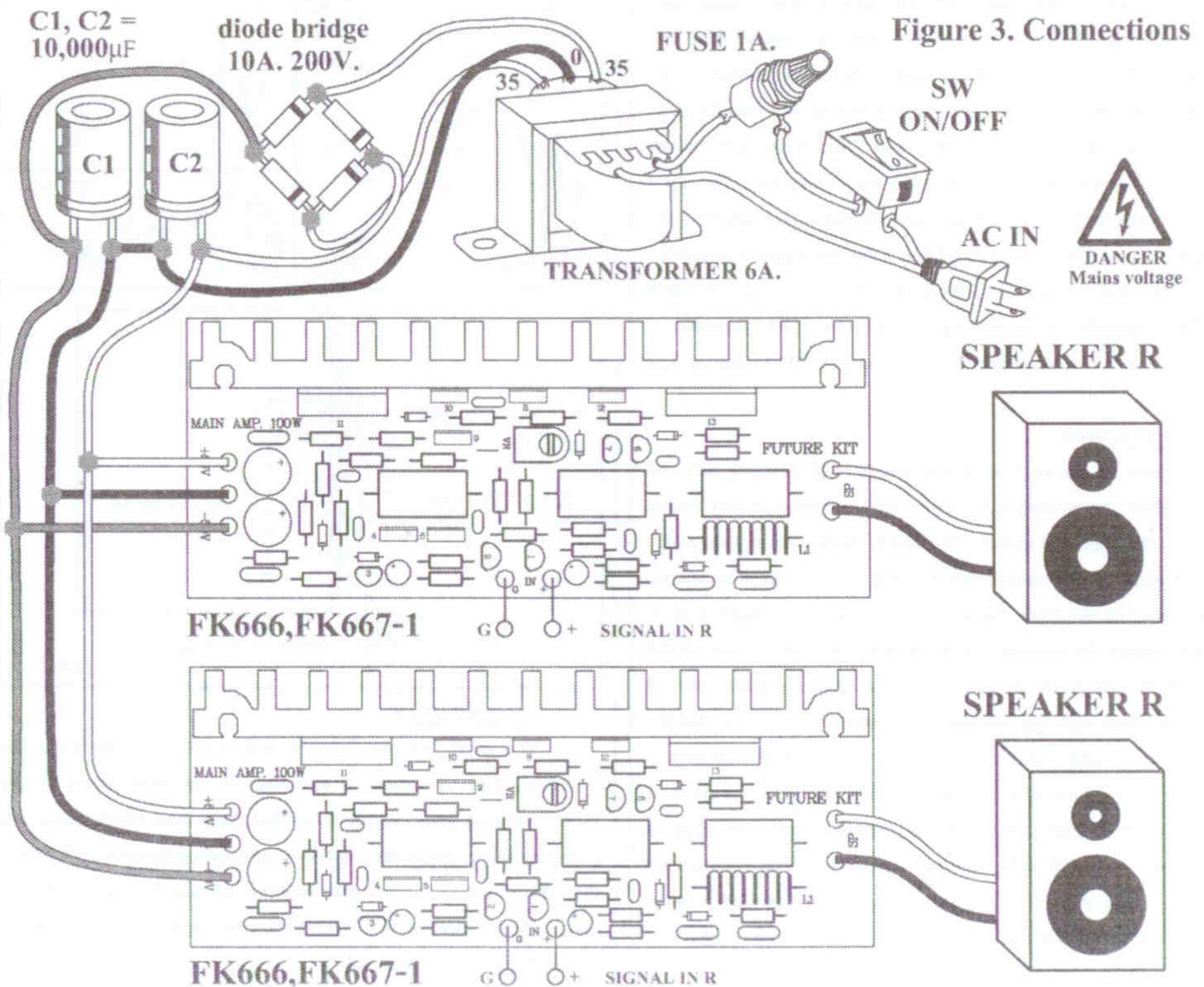


Figure 3. Connections