

Figure 2. The power amp OCL 50W R1% circuit

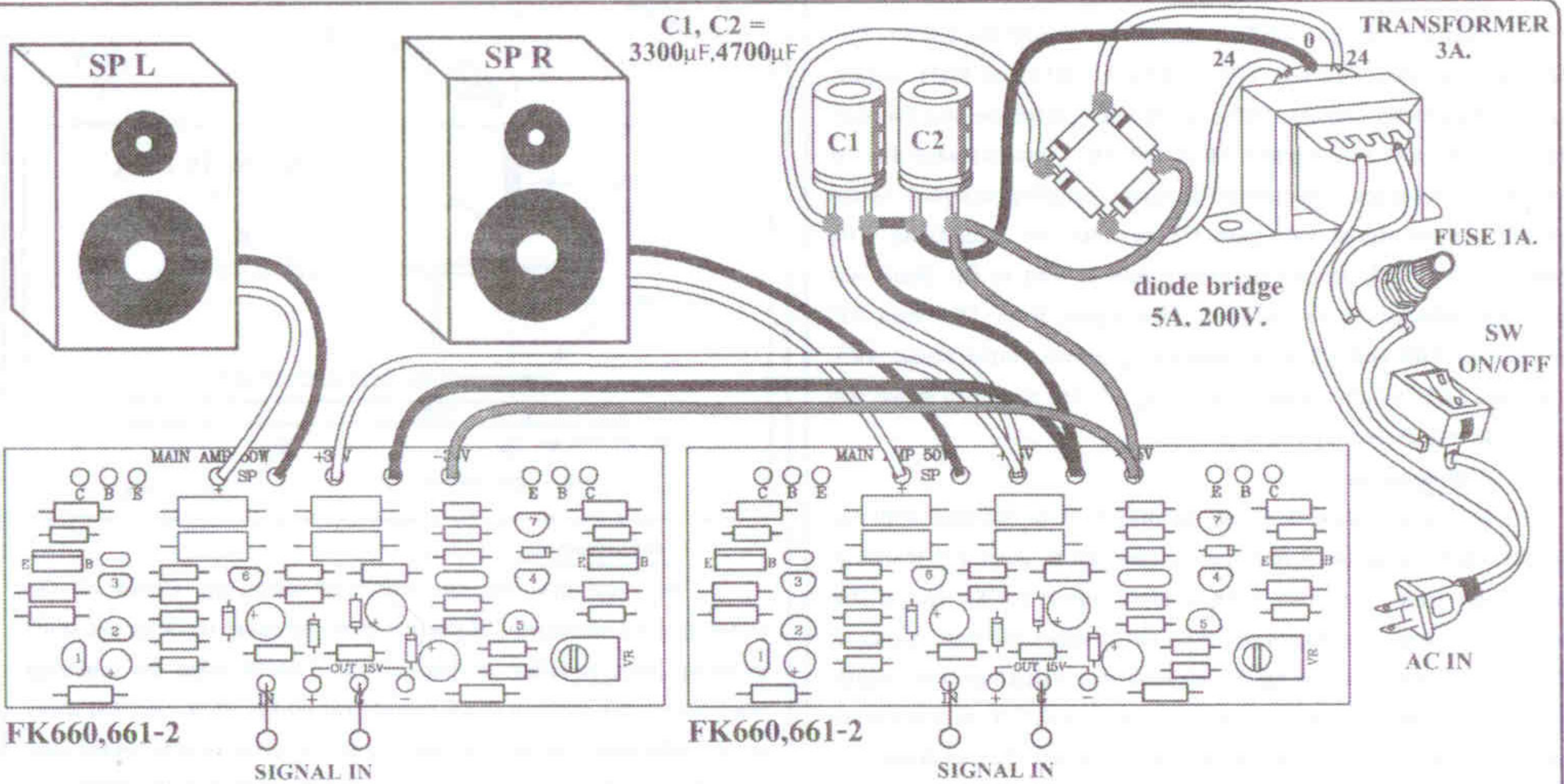
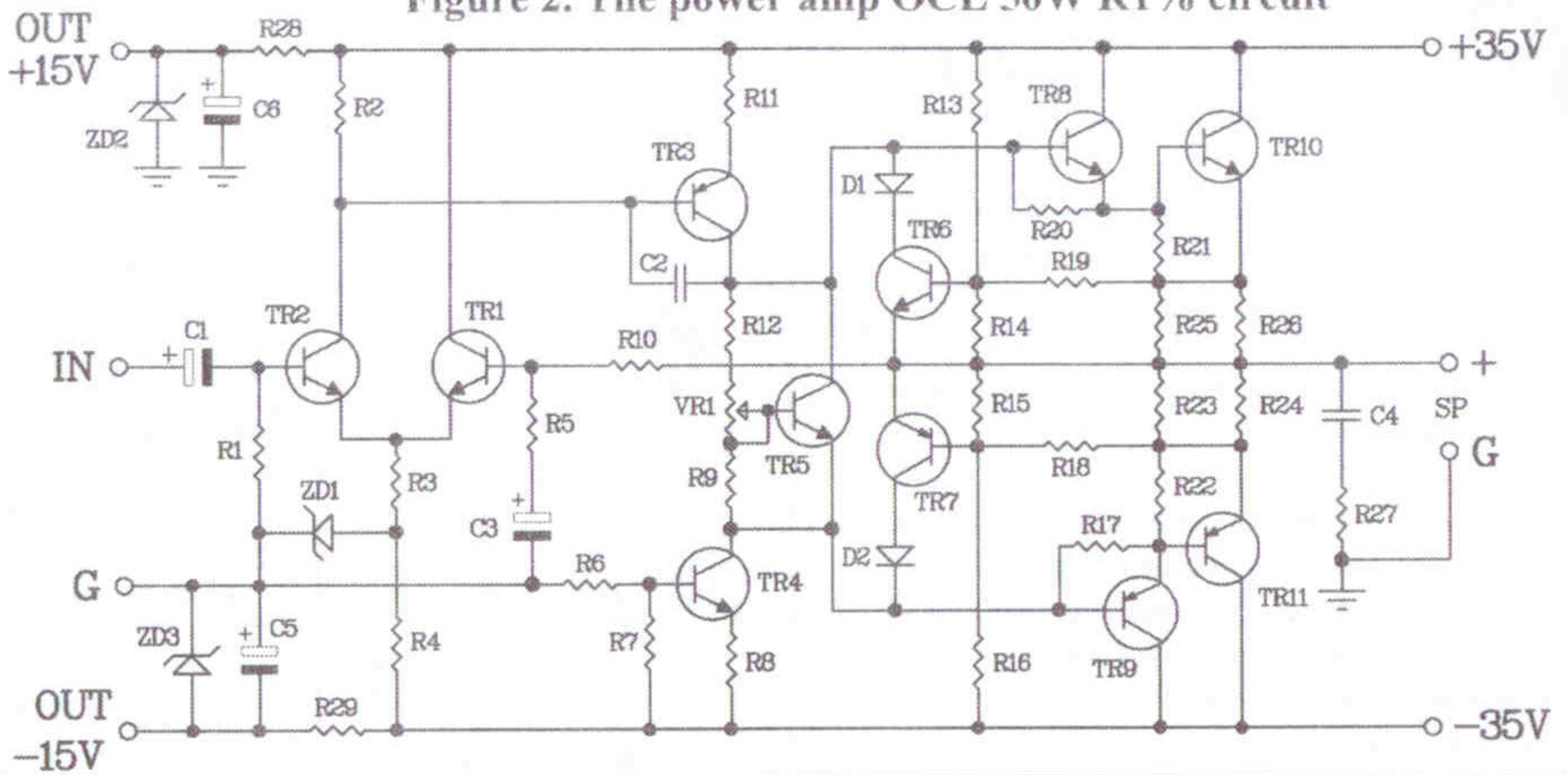


Figure 3. Connections

